

D-Series DC control contactors



The D-Series DC control contactors from Eaton's Electrical Sector were designed specifically to meet requirements for railway systems applications.

The D-contactor is a single-pole normally open, load break, bi-directional definite-purpose DC contactor. Two devices are available, rated at 1800A or 3000A at 750 Vdc.

Eaton's rugged, high-performance DC control contactors are excellent for industries demanding reliable control devices.

The customer benefits and values offered by the D-Series DC control contactors include:

- Compact design with high load capacities of 1800 or 3000A at 750 Vdc
- Continuous-duty operating coil with a variety of voltages to facilitate a costless interface with existing control systems
- Screw-type or faston control terminals on the auxiliary contacts are ideal for connections in railway systems and oil/gas drilling applications
- Rugged devices with high dielectric strength
- Designed to mount directly on a channel or angle frame, but adaptable for mounting on a flat panel
- Optional coil suppressor reduces voltage spike
- Easy accessibility to wear parts minimizes labor costs and time for inspection, maintenance and repair
- Auxiliary contacts available in any combination of normally open (NO) and normally closed (NC) circuits, up to a maximum of eight contacts
- Bi-directional interrupting capability

Electrical ratings

- Contactor rating
 - Voltage rating is 750 Vdc
 - Continuous open air current rating is 1800/3000A
 - 5000A resistive interrupt rating
 - Electrical creepage and clearance up to 1500 Vdc
 - Main pole configuration is SPNO
- Interlock rating
 - 5A resistive or 3A inductive at 74 Vdc
 - 3A resistive or 2A inductive at 115 Vdc

Endurance ratings

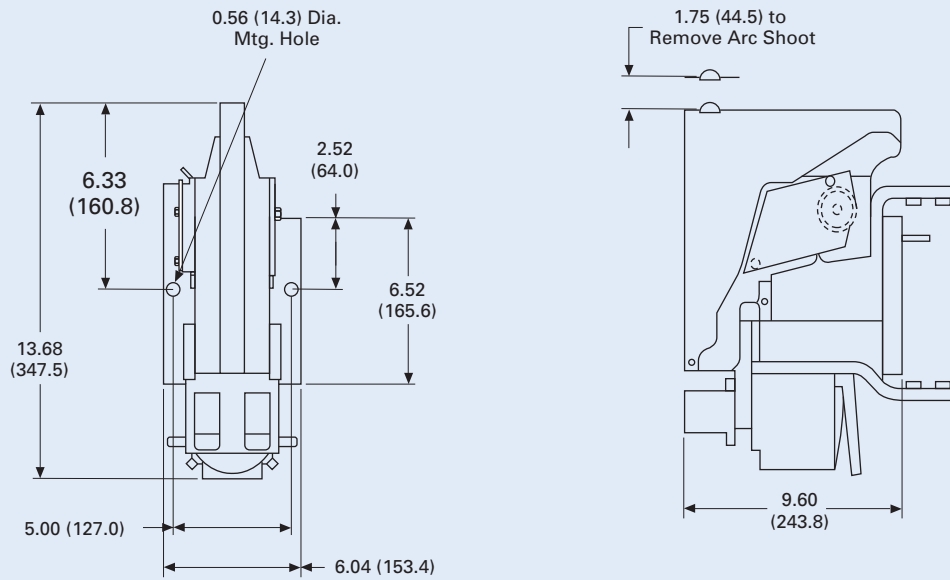
- Mechanical life is 2 million operations
- Electrical life of approximately 30,000 operations

Environmental ratings

- Operating temperature: -40 to 55°C
- Storage temperature: -40 to 65°C



Powering Business Worldwide



Shipping Weight 43 Lbs (19.5 kg)

D-Contactor Approximate Dimensions in Inches (mm), and Shipping Weight

ARC Clearances

Type of Load	750 Volt in Inches (mm)		
	Front	Top	Sides
Resistive	4.00 (101.6)	2.00 (50.8)	3.00 (76.2)
Inductive	7.00 (177.8)	4.00 (101.6)	3.00 (76.2)

Eaton Corporation
 Electrical Sector
 1111 Superior Ave.
 Cleveland, OH 44114
 United States
 877-ETN-CARE (877-386-2273)
 Eaton.com

© 2010 Eaton Corporation
 All Rights Reserved
 Printed in USA
 Publication No. PA05803004E / Z9888
 May 2010



PowerChain Management is a registered trademark of Eaton Corporation.

All other trademarks are property of their respective owners.