

8 Circuit Relay

Dimensions

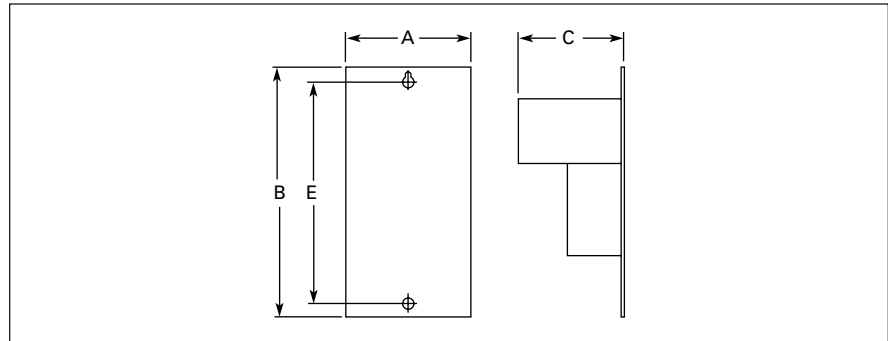


Figure 33. Approximate Dimensions in Inches (mm)

Product Description

These dc Mill Type Relays are designed for heavy industry service and are suitable for use on moving machinery. They are arranged for steel panel mounting with front connections. Unit circuit blocks have two captive mounting screws and are interchangeable between relays. They are easily convertible from normally open to normally closed or vice versa. Contacts are of double break design.

Standards and Certifications

- NEMA ICS3-212.20.21.
- NEMA ICS2-125.21.02.

Technical Data and Specifications

- Voltage: 115, 230 Vdc.
- Operation: Magnetic.
- Mounting: Steel panel.
- Electrical Ratings:
 - 10 amperes continuous
 - 2.2 amperes inductive breaking at 115 V
 - 1.1 amperes inductive breaking at 230 V

Table 116. Approximate Dimensions in Inches (mm)

Circuit Capacity of Relay	Number of Circuits	Wide A	High B	Deep C	Mounting E
4 Circuits	1 to 4	3.38 (85.9)	8.00 (203.2)	6.00 (152.4)	6.25 (158.8)
8 Circuits	1 to 4	5.00 (127.0)	8.38 (212.9)	5.75 (146.1)	7.75 (196.9)
	5 to 8	5.00 (127.0)	8.38 (212.9)	7.38 (187.5)	7.75 (196.9)

Product Selection

When Ordering Specify

- Catalog Number of relay.
- Catalog Number of unit circuit block(s), if required.

Table 117. Relays — 230 Vdc Coil

Maximum Circuit Capacity of Relay Frame	Number of Circuits Assembled	Catalog Number ①	*
4 (2 Double Circuit Blocks)	0 4NO	6011H23-103-1 6011H23-103-15	
8 (4 Double Circuit Blocks)	0 8NO	6011H2-103-1 6011H2-103-27	

① To order 115 Vdc coil, substitute Suffix Number 101 for 103 in above listed Catalog Number. Example: 6011H23-101-1.

Table 118. Unit Circuit Blocks

Mounting Screws Included ②		
Circuit Arrangement	Catalog Number	*
1NO	6011H4	
1NC	6011H5	
1NO-1NC	6011H6	
2NO	6011H7	
2NC	6011H8	

② When mounting circuit blocks, DO NOT exceed maximum capacity of relay frame.

Discount Symbol 18CD-4

* Consult Sales Office for Pricing